



## **NTC thermistors for temperature measurement**

Pb-free leaded NTC thermistors, lead spacing 2.5 mm

|                       |                    |
|-----------------------|--------------------|
| <b>Series/Type:</b>   | <b>L871</b>        |
| <b>Ordering code:</b> | <b>B57871L*</b>    |
| <b>Date:</b>          | <b>August 2023</b> |
| <b>Version:</b>       | <b>1</b>           |

## Applications

Temperature measurement

## Features

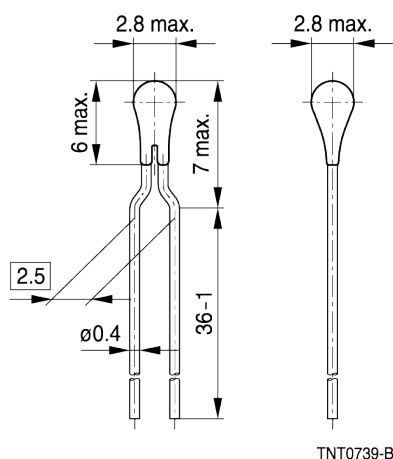
- NTC chip
- Pb-free solder
- Epoxy coating (color black)
- Cu-clad steel wire,  $\varnothing$  0.4 mm
- Lead spacing 2.5 mm



## Delivery mode

Bulk (standard), cardboard tape, reeled or in Ammo pack

## Dimensional drawings



Dimensions in mm

## General technical data

|                               |               |                  |                |      |
|-------------------------------|---------------|------------------|----------------|------|
| Climatic category             | (IEC 60068-1) |                  | 40/155/56      |      |
| Lower category temperature    |               |                  | -40            | °C   |
| Upper category temperature    |               |                  | 155            | °C   |
| Max. power                    | (at 25 °C)    | $P_{25}$         | 60             | mW   |
| Resistance tolerance          |               | $\Delta R_R/R_R$ | $\pm 1, \pm 3$ | %    |
| Rated temperature             |               | $T_R$            | 25             | °C   |
| Dissipation factor            | (in air)      | $\delta_{th}$    | approx. 3      | mW/K |
| Thermal cooling time constant | (in air)      | $\tau_c$         | approx. 9      | s    |
| Heat capacity                 |               | $C_{th}$         | approx. 27     | mJ/K |

**Electrical specification and ordering codes**

| <b>R<sub>25</sub></b><br><b>Ω</b> | <b>No. of R/T</b><br><b>characteristic</b> | <b>B<sub>25/100</sub></b><br><b>K</b> | <b>Ordering code</b> |
|-----------------------------------|--|---------------------------------------|----------------------|
| 2 k                               | 1038                                       | 3560 ±1%                              | B57871L0202+000      |
| 5 k                               | 8016                                       | 3988 ±1%                              | B57871L0502+000      |
| 10 k                              | 8016                                       | 3988 ±1%                              | B57871L0103+001      |
| 30 k                              | 8018                                       | 3964 ±1%                              | B57871L0303+000      |
| 100 k                             | 2014                                       | 4540 ±1%                              | B57871L0104+000      |

+ = Resistance tolerance

F = ±1%

H = ±3%

**Reliability data**

| <b>Test</b>                           | <b>Standard</b> | <b>Test conditions</b>  | <b>ΔR<sub>25</sub>/R<sub>25</sub></b><br><b>(typical)</b> | <b>Remarks</b>    |
|---------------------------------------|-----------------|---|---|-------------------|
| Storage in dry heat                   | IEC 60068-2-2   | Storage at upper category temperature<br>T: 155 °C<br>t: 1000 h                           | < 3%  | No visible damage |
| Storage in damp heat, steady state    | IEC 60068-2-78  | Temperature of air: 40 °C<br>Relative humidity of air: 93%<br>Duration: 56 days           | < 2%  | No visible damage |
| Rapid temperature cycling             | IEC 60068-2-14  | Lower test temperature: -40 °C<br>Upper test temperature: 155 °C<br>Number of cycles: 100 | < 2%  | No visible damage |
| Endurance                             |                 | P <sub>max</sub> : 60 mW<br>t: 1000 h   | < 3%  | No visible damage |
| Long-term stability (empirical value) |                 | Temperature: 70 °C<br>t: 10000 h  | < 3%  | No visible damage |

**Reliability data according to AEC-Q200, Rev. D**

| Test                                | Standard                             | Test conditions  | $\Delta R_{25}/R_{25}$<br>(typical) | Remarks           |
|-------------------------------------|--------------------------------------|--|-------------------------------------|-------------------|
| High temperature exposure (storage) | MIL-STD-202, method 108              | Storage at T = 125 °C<br>t = 1000 h  | < 2%                                | No visible damage |
| Biased humidity                     | MIL-STD-202, method 103              | T = 85 °C<br>Relative humidity of air 85%<br>t = 1000 h<br>Test voltage max. 0.3 V DC on NTC <sup>1)</sup>   | < 3%                                | No visible damage |
| Operational life                    | MIL-STD-202, method 108              | T = 125 °C<br>t = 1000 h<br>Test voltage max. 0.3 V DC on NTC <sup>1)</sup>  | < 3%                                | No visible damage |
| Temperature cycling                 | JESD 22, method JA-104               | Lower test temperature: -55 °C<br>Upper test temperature: 125 °C<br>1000 cycles<br>Dwell time: max. 30 min at each temperature<br>Transition time in air: max. 1 min | < 3%                                | No visible damage |
| Terminal strength (leaded)          | MIL-STD-202, method 211              | Test leaded device integrity<br>Condition A: 2.27 N <sup>2)</sup>  | < 2%                                | No visible damage |
| Mechanical shock                    | MIL-STD-202, method 213, condition C | Acceleration: 40 g <sup>2)</sup><br>Pulse duration: 6 ms<br>Number of bumps: 3, each direction   | < 2%                                | No visible damage |
| Vibration                           | MIL-STD-202, method 204              | Acceleration: 5 g<br>t = 20 min<br>12 cycles in each of 3 directions<br>Frequency range: 10 ... 2000 Hz  | < 2%                                | No visible damage |

<sup>1)</sup> Self heating of the NTC thermistor must not exceed 0.2 K, steady state. Test conditions deviating from AEC-Q200, Rev. D.

<sup>2)</sup> Deviating from AEC-Q200, Rev. D.

**Note**

- Contact of NTC thermistors with any liquids and solvents shall be prevented. It must be ensured that no water enters the NTC thermistors (e.g. through plug terminals).
- Avoid dewing and condensation unless the thermistor is specified for these conditions.

**R/T characteristics**

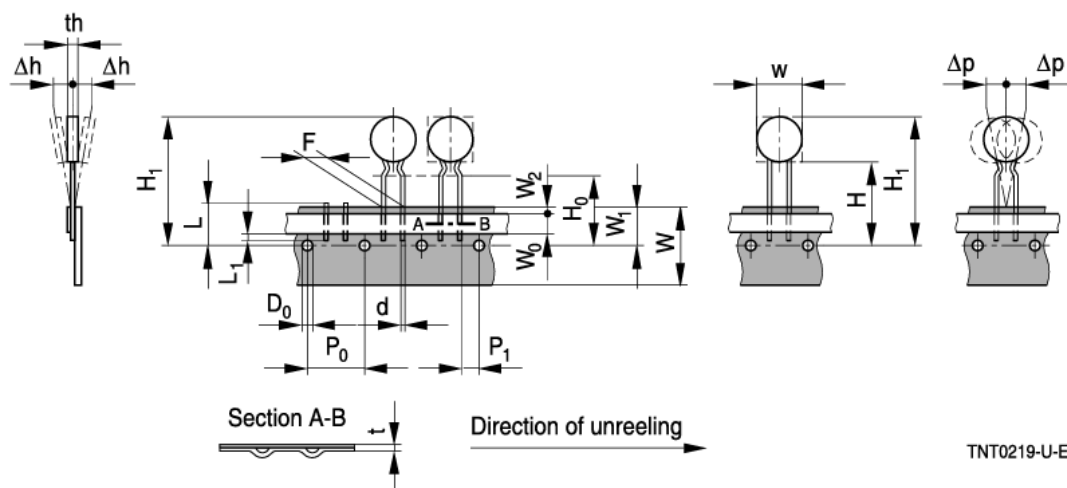
| R/T No. | 1038                            |         | 2014                            |         |
|---------|---------------------------------|---------|---------------------------------|---------|
|         | B <sub>25/100</sub> = 3560 K    |         | B <sub>25/100</sub> = 3930 K    |         |
| T (°C)  | R <sub>T</sub> /R <sub>25</sub> | α (%/K) | R <sub>T</sub> /R <sub>25</sub> | α (%/K) |
| -40.0   | 22.992                          | 5.9     | 46.400                          | 7.1     |
| -35.0   | 17.177                          | 5.7     | 32.708                          | 6.9     |
| -30.0   | 12.960                          | 5.5     | 23.302                          | 6.7     |
| -25.0   | 9.8708                          | 5.4     | 16.770                          | 6.5     |
| -20.0   | 7.5858                          | 5.2     | 12.186                          | 6.3     |
| -15.0   | 5.8799                          | 5.0     | 8.9370                          | 6.1     |
| -10.0   | 4.5951                          | 4.9     | 6.6125                          | 5.9     |
| -5.0    | 3.6193                          | 4.7     | 4.9342                          | 5.8     |
| 0.0     | 2.8720                          | 4.6     | 3.7120                          | 5.6     |
| 5.0     | 2.2954                          | 4.4     | 2.8145                          | 5.5     |
| 10.0    | 1.8472                          | 4.3     | 2.1500                          | 5.3     |
| 15.0    | 1.4962                          | 4.2     | 1.6544                          | 5.2     |
| 20.0    | 1.2195                          | 4.0     | 1.2819                          | 5.0     |
| 25.0    | 1.0000                          | 3.9     | 1.0000                          | 4.9     |
| 30.0    | 0.82472                         | 3.8     | 0.78514                         | 4.8     |
| 35.0    | 0.68393                         | 3.7     | 0.62031                         | 4.7     |
| 40.0    | 0.57018                         | 3.6     | 0.49304                         | 4.5     |
| 45.0    | 0.47777                         | 3.5     | 0.39417                         | 4.4     |
| 50.0    | 0.40229                         | 3.4     | 0.31690                         | 4.3     |
| 55.0    | 0.34033                         | 3.3     | 0.25616                         | 4.2     |
| 60.0    | 0.28920                         | 3.2     | 0.20815                         | 4.1     |
| 65.0    | 0.24683                         | 3.1     | 0.17000                         | 4.0     |
| 70.0    | 0.21154                         | 3.0     | 0.13952                         | 3.9     |
| 75.0    | 0.18203                         | 3.0     | 0.11505                         | 3.8     |
| 80.0    | 0.15722                         | 2.9     | 0.095302                        | 3.7     |
| 85.0    | 0.13631                         | 2.8     | 0.079296                        | 3.6     |
| 90.0    | 0.11861                         | 2.7     | 0.066263                        | 3.5     |
| 95.0    | 0.10358                         | 2.7     | 0.055601                        | 3.5     |
| 100.0   | 0.090775                        | 2.6     | 0.046843                        | 3.4     |
| 105.0   | 0.079839                        | 2.5     | 0.039618                        | 3.3     |
| 110.0   | 0.070433                        | 2.5     | 0.033634                        | 3.2     |
| 115.0   | 0.062311                        | 2.4     | 0.028658                        | 3.2     |
| 120.0   | 0.055278                        | 2.4     | 0.024505                        | 3.1     |
| 125.0   | 0.049170                        | 2.3     | 0.021026                        | 3.0     |
| 130.0   | 0.043851                        | 2.3     | 0.018101                        | 3.0     |
| 135.0   | 0.039207                        | 2.2     | 0.015633                        | 2.9     |
| 140.0   | 0.035142                        | 2.2     | 0.013544                        | 2.8     |
| 145.0   | 0.031574                        | 2.1     | 0.011769                        | 2.8     |
| 150.0   | 0.028435                        | 2.1     | 0.010258                        | 2.7     |
| 155.0   | 0.025666                        | 2.0     | 0.0089659                       | 2.7     |

**R/T characteristics**

| R/T No. | 8016                            |         | 8018                            |         |
|---------|---------------------------------|---------|---------------------------------|---------|
|         | B <sub>25/100</sub> = 3988 K    |         | B <sub>25/100</sub> = 3964 K    |         |
| T (°C)  | R <sub>T</sub> /R <sub>25</sub> | α (%/K) | R <sub>T</sub> /R <sub>25</sub> | α (%/K) |
| -40.0   | 33.65                           | 6.7     | 30.235                          | 6.4     |
| -35.0   | 24.26                           | 6.4     | 22.109                          | 6.2     |
| -30.0   | 17.70                           | 6.2     | 16.327                          | 6.0     |
| -25.0   | 13.04                           | 6.0     | 12.171                          | 5.8     |
| -20.0   | 9.707                           | 5.8     | 9.1548                          | 5.6     |
| -15.0   | 7.293                           | 5.6     | 6.9458                          | 5.4     |
| -10.0   | 5.533                           | 5.5     | 5.3135                          | 5.3     |
| -5.0    | 4.232                           | 5.3     | 4.0972                          | 5.1     |
| 0.0     | 3.265                           | 5.1     | 3.1834                          | 5.0     |
| 5.0     | 2.539                           | 5.0     | 2.4915                          | 4.8     |
| 10.0    | 1.990                           | 4.8     | 1.9637                          | 4.7     |
| 15.0    | 1.571                           | 4.7     | 1.5582                          | 4.6     |
| 20.0    | 1.249                           | 4.5     | 1.2444                          | 4.4     |
| 25.0    | 1.0000                          | 4.4     | 1.0000                          | 4.3     |
| 30.0    | 0.8057                          | 4.3     | 0.80843                         | 4.2     |
| 35.0    | 0.6531                          | 4.1     | 0.65732                         | 4.1     |
| 40.0    | 0.5327                          | 4.0     | 0.53743                         | 4.0     |
| 45.0    | 0.4369                          | 3.9     | 0.44175                         | 3.9     |
| 50.0    | 0.3603                          | 3.8     | 0.36497                         | 3.8     |
| 55.0    | 0.2986                          | 3.7     | 0.30303                         | 3.7     |
| 60.0    | 0.2488                          | 3.6     | 0.25280                         | 3.6     |
| 65.0    | 0.2083                          | 3.5     | 0.21187                         | 3.5     |
| 70.0    | 0.1752                          | 3.4     | 0.17836                         | 3.4     |
| 75.0    | 0.1481                          | 3.3     | 0.15079                         | 3.3     |
| 80.0    | 0.1258                          | 3.2     | 0.12800                         | 3.2     |
| 85.0    | 0.1072                          | 3.2     | 0.10910                         | 3.2     |
| 90.0    | 0.09177                         | 3.1     | 0.093342                        | 3.1     |
| 95.0    | 0.07885                         | 3.0     | 0.080158                        | 3.0     |
| 100.0   | 0.06800                         | 2.9     | 0.069084                        | 2.9     |
| 105.0   | 0.05886                         | 2.9     | 0.059747                        | 2.9     |
| 110.0   | 0.05112                         | 2.8     | 0.051845                        | 2.8     |
| 115.0   | 0.04454                         | 2.7     | 0.045134                        | 2.7     |
| 120.0   | 0.03893                         | 2.6     | 0.039416                        | 2.7     |
| 125.0   | 0.03417                         | 2.6     | 0.034527                        | 2.6     |
| 130.0   | 0.03009                         | 2.5     | 0.030333                        | 2.6     |
| 135.0   | 0.02654                         | 2.5     | 0.026724                        | 2.5     |
| 140.0   | 0.02348                         | 2.4     | 0.023610                        | 2.5     |
| 145.0   | 0.02083                         | 2.4     | 0.020914                        | 2.4     |
| 150.0   | 0.01853                         | 2.3     | 0.018575                        | 2.3     |
| 155.0   | 0.01653                         | 2.3     | 0.016538                        | 2.3     |

**Taping and packing**
**1 Taping of radial leaded NTC thermistors**

Dimensions and tolerances

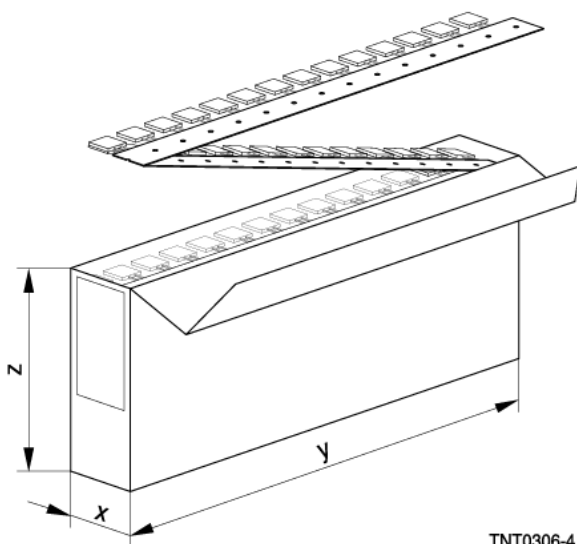
 Lead spacing  $F = 2.5 \text{ mm}$  and  $5.0 \text{ mm}$  (taping to IEC 60286-2)


Dimensions (mm)

|                | Lead Spacing 2.5 mm | Lead Spacing 5 mm | Tolerance of lead spacing 2.5/5 mm | Remarks                           |
|----------------|---------------------|-------------------|------------------------------------|-----------------------------------|
| w              | 11.0                | 11.5              | max.                               |                                   |
| th             | 5.0                 | 6.0               | max.                               |                                   |
| d              | 0.5/0.6             | 0.5/0.6           | ±0.05                              |                                   |
| P <sub>0</sub> | 12.7                | 12.7              | ±0.3                               | ±1 mm / 20 sprocket holes         |
| P <sub>1</sub> | 5.1                 | 3.85              | ±0.7                               |                                   |
| F              | 2.5                 | 5.0               | +0.6/-0.1                          |                                   |
| Δh             | 0                   | 0                 | ±2.0                               | measured at top of component body |
| Δp             | 0                   | 0                 | ±1.3                               |                                   |
| W              | 18.0                | 18.0              | ±0.5                               |                                   |
| W <sub>0</sub> | 5.5                 | 5.5               | min.                               | peel-off force ≥ 5 N              |
| W <sub>1</sub> | 9.0                 | 9.0               | +0.75/-0.5                         |                                   |
| W <sub>2</sub> | 3.0                 | 3.0               | max.                               |                                   |
| H              | 18.0                | 18.0              | +2.0/-0                            |                                   |
| H <sub>0</sub> | 16.0                | 16.0              | ±0.5                               |                                   |
| H <sub>1</sub> | 32.2                | 32.2              | max.                               |                                   |
| D <sub>0</sub> | 4.0                 | 4.0               | ±0.2                               |                                   |
| t              | 0.9                 | 0.9               | max.                               | without wires                     |
| L              | 11.0                | 11.0              | max.                               |                                   |
| L <sub>1</sub> | 4.0                 | 4.0               | max.                               |                                   |

**Types of packing**

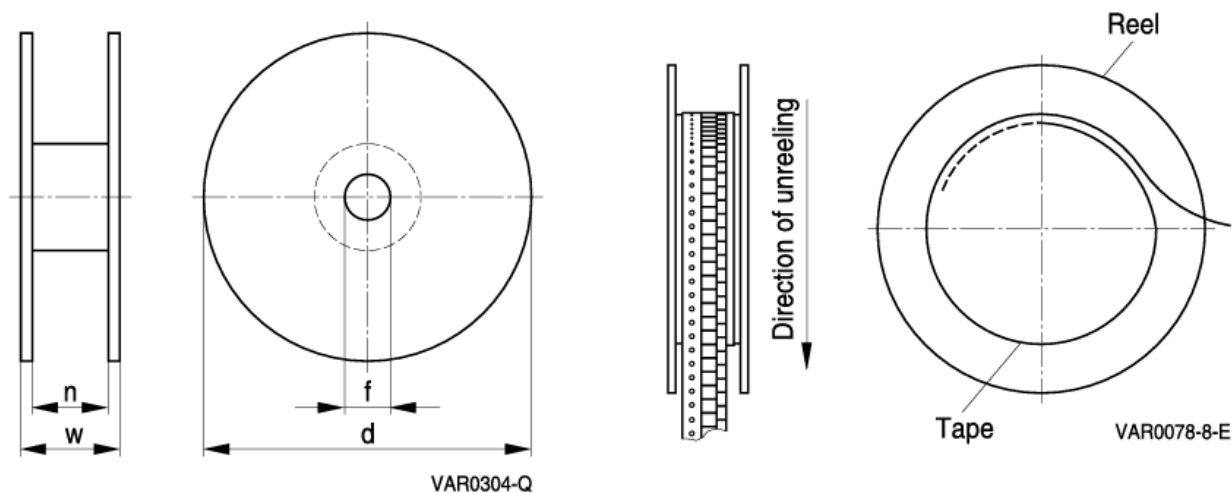
Ammo packing



| Ammo type | x  | y   | z   |
|-----------|----|-----|-----|
| I         | 80 | 240 | 210 |

**Packing unit:** 1000 – 2000 pcs./reel

Reel packing



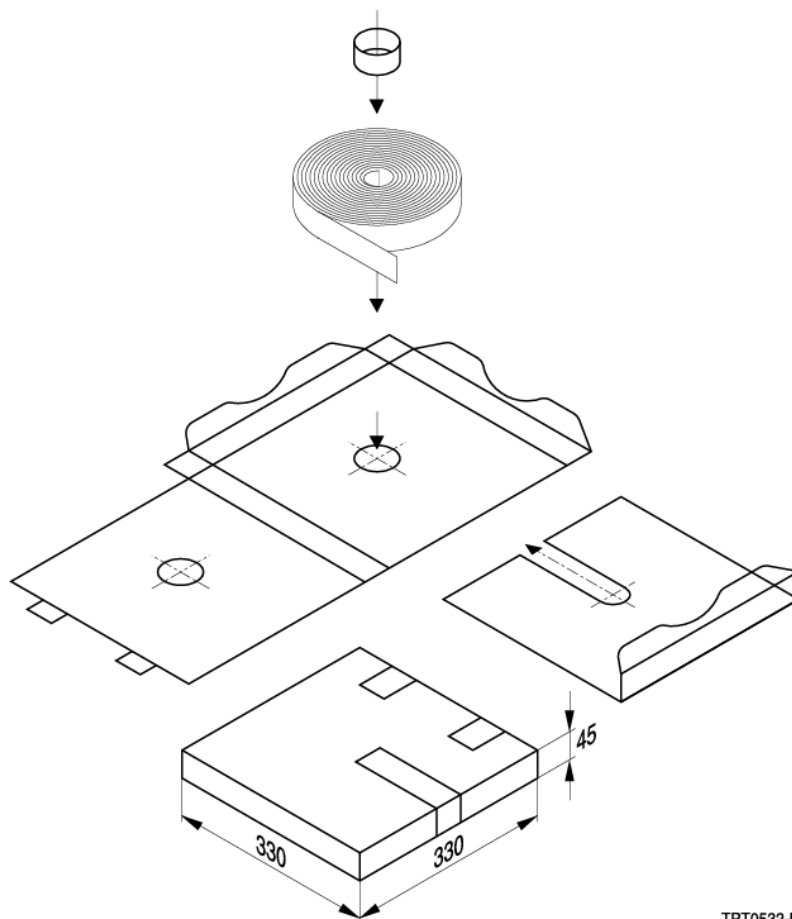
**Packing unit:** 1000 – 2000 pcs./reel

**Reel dimensions (in mm)**

| Reel type | d        | f     | n          | w       |
|-----------|----------|-------|------------|---------|
| I         | 360 max. | 31 ±1 | approx. 45 | 54 max. |



Cassette packing



TPT0532-B

**Packing unit:** 1000 – 2000 pcs./cassette

Bulk packing

The components are packed in cardboard boxes, the size of which depends on the order quantity.

## 2 Packing codes

The last two digits of the complete ordering code state the packing mode:

| Last two digits                       |                        |                |                     |
|---------------------------------------|------------------------|----------------|---------------------|
| 00, 01, 02, 03, 04,<br>05, 06, 07, 08 | --                     | Bulk           |                     |
| 40, 41                                | --                     | Bulk           |                     |
| 45                                    | --                     | Bulk           |                     |
| 50                                    | Radial leads, kinked   | Cardboard tape | Cassette packing    |
| 51                                    | Radial leads, kinked   | Cardboard tape | 360-mm reel packing |
| 52                                    | Radial leads, straight | Cardboard tape | Cassette packing    |
| 53                                    | Radial leads, straight | Cardboard tape | 360-mm reel packing |
| 54                                    | Radial leads, kinked   | Cardboard tape | AMMO packing        |
| 55                                    | Radial leads, straight | Cardboard tape | AMMO packing        |

(If no packing code is indicated, this corresponds to 40)

Example 1: B57164K0102J000      Bulk  
               B57164K0102J052      Cardboard tape, cassette packing

Example 2: B57881S0103F002      Bulk  
               B57881S0103F251      Cardboard tape, reel packing

## Mounting instructions

### 1 Soldering

#### 1.1 Leaded NTC thermistors

Leaded thermistors comply with the solderability requirements specified by CECC.

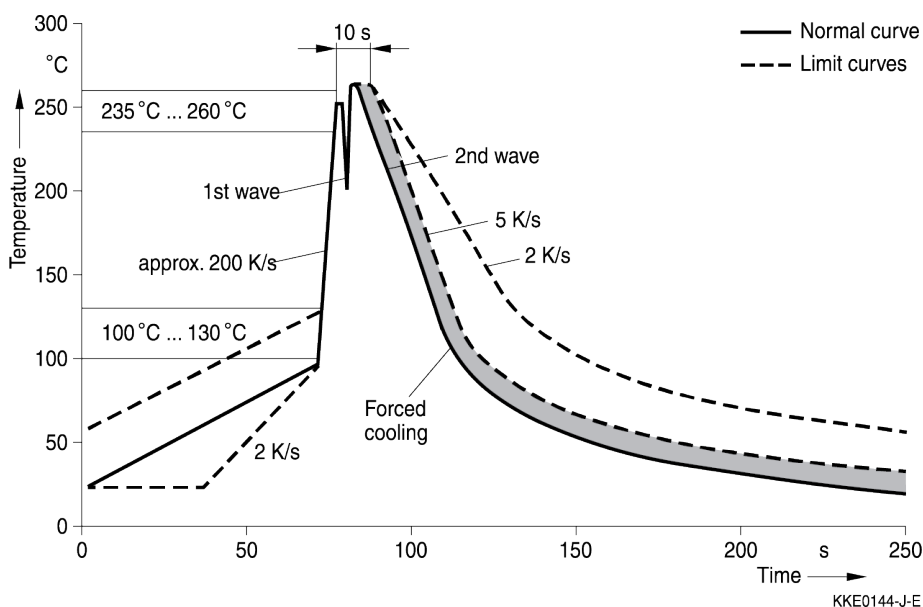
When soldering, care must be taken that the NTC thermistors are not damaged by excessive heat. The following maximum temperatures, maximum time spans, and minimum distances have to be observed:

|                          | Dip soldering | Iron soldering |
|--------------------------|---------------|----------------|
| Bath temperature         | max. 260 °C   | max. 360 °C    |
| Soldering time           | max. 4 s      | max. 2 s       |
| Distance from thermistor | min. 6 mm     | min. 6 mm      |

Under more severe soldering conditions the resistance may change.

#### 1.1.1 Wave soldering

Temperature characteristics at component terminal with dual wave soldering



## 2 Robustness of terminations (leaded types)

The leads meet the requirements of IEC 60068-2-21. They may not be bent closer than 4 mm from the solder joint on the thermistor body or from the point at which they leave the feedthroughs. During bending, any mechanical stress at the outlet of the leads must be removed. The bending radius should be at least 0.75 mm.

### Tensile strength: Test Ua1

Values of applied force for Ua1 test:

| Diameter (d) of corresponding round leads | Force with tolerance of $\pm 10\%$ |
|---|------------------------------------|
| $\varnothing \leq 0.25$ mm                | 1.0 N                              |
| $0.25 < \varnothing \leq 0.35$ mm         | 2.5 N                              |
| $0.35 < \varnothing \leq 0.50$ mm         | 5.0 N                              |
| $0.50 < \varnothing \leq 0.80$ mm         | 10.0 N                             |

### Bending strength: Test Ub: two 90° bends in opposite directions

Values of applied force for Ub test:

| Diameter (d) of corresponding round leads | Force with tolerance of $\pm 10\%$ |
|---|------------------------------------|
| $\varnothing \leq 0.25$ mm                | 0.5 N                              |
| $0.25 < \varnothing \leq 0.35$ mm         | 1.25 N                             |
| $0.35 < \varnothing \leq 0.50$ mm         | 2.5 N                              |
| $0.50 < \varnothing \leq 0.80$ mm         | 5 N                                |

### Torsional strength: Test Uc: severity 2

- The lead is bent by 90° at a distance of 6 to 6.5 mm from the thermistor body.
- The bending radius of the leads should be approx. 0.75 mm. Two torsions of 180° each (severity 2).

When subjecting leads to mechanical stress, the following should be observed:

#### Tensile stress on leads

During mounting and operation tensile forces on the leads are to be avoided.

#### Bending of leads

Bending of the leads directly on the thermistor body is not permissible.

A lead may be bent at a minimum distance of twice the wire's diameter +4 mm from the solder joint on the thermistor body. During bending the wire must be mechanically relieved at its outlet. The bending radius should be at least 0.75 mm.

### 3 Sealing and potting

Sealing or potting processes can affect the reliability of the component.

When thermistors are sealed, potted, or overmolded, there must be no mechanical stress caused by thermal expansion during the production process (curing/overmolding process) and during later operation. The upper category temperature of the thermistor must not be exceeded. Ensure that the materials used (sealing/potting compound and plastic material) are chemically neutral. As thermistors are temperature sensitive components it should be considered that molding can affect the thermal surrounding and may influence e.g. the response time.

Extensive testing is encouraged in order to determine whether overmolding or potting influences the functionality and/or reliability of the component.

### 4 Cleaning

The cleaning processes can affect the reliability of the component.

If cleaning is necessary, mild cleaning agents are recommended. Cleaning agents based on water are not allowed. Washing processes may damage the product due to the possible static or cyclic mechanical loads (e.g. ultrasonic cleaning). They may cause cracks which might lead to reduced reliability and/or lifetime.

### 5 Storage

In order to maintain their solderability, thermistors must be stored in a non-corrosive atmosphere. Humidity, temperature, and container materials are critical factors.

The components should be left in the original packing. Touching the metallization of unsoldered thermistors may change their soldering properties.

|   |   |
|---|---|
| Storage temperature:                      | -25 °C ... 45 °C                                      |
| Relative humidity (without condensation): | ≤ 75% annual mean<br>< 95%, maximum 30 days per annum |

Solder the thermistors listed in this data book after shipment from TDK within the time specified:

|                    |           |
|--------------------|-----------|
| Leaded components: | 24 months |
|--------------------|-----------|

## Cautions and warnings

### General

See "Important notes".

### Storage

- Store thermistors only in original packaging. Do not open the package prior to processing.
- Storage conditions in original packaging: storage temperature -25 °C to +45 °C, relative humidity  $\leq 75\%$  annual mean,  $< 95\%$  maximum 30 days per annum, dew precipitation is inadmissible.
- Do not store thermistors where they are exposed to heat or direct sunlight. Otherwise, the packing material may be deformed, or components may stick together, causing problems during mounting.
- Avoid contamination of the thermistor surface during storage, handling, and processing.
- Avoid storage of thermistors in harmful environments like corrosive gases (SO<sub>x</sub>, Cl etc).
- Use the components as soon as possible after opening the original packaging.
- Solder thermistors within the time specified after shipment from TDK. For leaded components this is 24 months.

### Handling

- NTC thermistors must not be dropped. Chip-offs or any other damage must not be caused during handling of NTCs.
- Do not touch components with bare hands. Gloves are recommended.
- Avoid contamination of thermistor surface during handling.
- Washing processes may damage the product due to the possible static or cyclic mechanical loads (e.g. ultrasonic cleaning). They may cause cracks to develop on the product and its parts, which might lead to reduced reliability or lifetime.

### Bending/twisting leads

- A lead (wire) may be bent at a minimum distance of twice the wire's diameter plus 4 mm from the component head or housing. When bending ensure the wire is mechanically relieved at the component head or housing. The bending radius should be at least 0.75 mm.

### Soldering

- Use resin-type flux or non-activated flux.
- Insufficient preheating may cause ceramic cracks.
- Rapid cooling by dipping in solvent is not recommended.
- Complete removal of flux is recommended.

## Mounting

- Ensure that no thermo-mechanical stress occurs due to production processes (curing or overmolding processes) when thermistors are sealed, potted or overmolded or during their subsequent operation. The maximum temperature of the thermistor must not be exceeded. Ensure that the materials used (sealing/potting compound and plastic material) are chemically neutral.
- Electrodes/contacts must not be scratched or damaged before/during/after the mounting process.
- Contacts and housing used for assembly with the thermistor must be clean before mounting.
- Ensure that adjacent materials are designed for operation at temperatures comparable to the surface temperature of the thermistor. Be sure that surrounding parts and materials can withstand the temperature.
- Avoid contamination of the thermistor surface during processing.
- The connections of sensors (e.g. cable end, wire end, plug terminal) may only be exposed to an environment with normal atmospheric conditions.
- Tensile forces on cables or leads must be avoided during mounting and operation.
- Bending or twisting of cables or leads directly on the thermistor body is not permissible.
- Avoid using chemical substances as mounting aids. It must be ensured that no water or other liquids enter the NTC thermistors (e.g. through plug terminals). In particular, water-based substances (e.g. soap suds) must not be used as mounting aids for sensors.
- The use of no-clean solder products is recommended. In any case mild, non-activated fluxes should be used. Flux residues after soldering should be minimized.

## Operation

- Use thermistors only within the specified operating temperature range.
- Use thermistors only within the specified power range.
- Environmental conditions must not harm the thermistors. Only use the thermistors under normal atmospheric conditions or within the specified conditions.
- Contact of NTC thermistors with any liquids and solvents shall be prevented. It must be ensured that no water enters the NTC thermistors (e.g. through plug terminals). For measurement purposes (checking the specified resistance vs. temperature), the component must not be immersed in water but in suitable liquids (e.g. perfluoropolyethers such as Galden).
- Avoid dewing and condensation unless thermistor is specified for these conditions.
- Bending or twisting of cables and/or wires is not permissible during operation of the sensor in the application.
- Be sure to provide an appropriate fail-safe function to prevent secondary product damage caused by malfunction.

This listing does not claim to be complete, but merely reflects the experience of TDK.

### Display of ordering codes for TDK Electronics products

The ordering code for one and the same product can be represented differently in data sheets, data books, other publications, on the company website, or in order-related documents such as shipping notes, order confirmations and product labels. **The varying representations of the ordering codes are due to different processes employed and do not affect the specifications of the respective products.** Detailed information can be found on the Internet at

[www.tdk-electronics.tdk.com/orderingcodes](http://www.tdk-electronics.tdk.com/orderingcodes).



**Symbols and terms**

| Symbol           | English   | German   |
|------------------|---|--|
| A                | Area  | Fläche   |
| AWG              | American Wire Gauge   | Amerikanische Norm für Drahtquerschnitte                                 |
| B                | B value   | B-Wert   |
| $B_{25/100}$     | B value determined by resistance measurement at 25 °C and 100 °C  | B-Wert, ermittelt durch Widerstandsmessungen bei 25 °C und 100 °C        |
| $C_{th}$         | Heat capacitance  | Wärmekapazität   |
| I                | Current   | Strom  |
| N                | Number (integer)  | Anzahl (ganzzahliger Wert)   |
| $P_{25}$         | Maximum power at 25 °C  | Maximale Leistung bei 25 °C  |
| $P_{diss}$       | Power dissipation   | Verlustleistung  |
| $P_{el}$         | Electrical power  | Elektrische Leistung   |
| $P_{max}$        | Maximum power within stated temperature range                     | Maximale Leistung im angegebenen Temperaturbereich                       |
| $\Delta R_B/R_B$ | Resistance tolerance caused by spread of B value                  | Widerstandstoleranz, die durch die Streuung des B-Wertes verursacht wird |
| $R_{ins}$        | Insulation resistance   | Isolationswiderstand   |
| $R_P$            | Parallel resistance   | Parallelwiderstand   |
| $R_R$            | Rated resistance  | Nennwiderstand   |
| $\Delta R_R/R_R$ | Resistance tolerance  | Widerstandstoleranz  |
| $R_S$            | Series resistance   | Serienwiderstand   |
| $R_T$            | Resistance at temperature T (e.g. $R_{25}$ = resistance at 25 °C) | Widerstand bei Temperatur T (z.B. $R_{25}$ = Widerstand bei 25 °C)       |
| T                | Temperature   | Temperatur   |
| $\Delta T$       | Temperature tolerance   | Temperaturtoleranz   |
| t                | Time  | Zeit   |
| $T_A$            | Ambient temperature   | Umgebungstemperatur  |
| $T_{max}$        | Upper category temperature  | Obere Grenztemperatur (Kategorietemperatur)                              |
| $T_{min}$        | Lower category temperature  | Untere Grenztemperatur (Kategorietemperatur)                             |
| $T_{op}$         | Operating temperature   | Betriebstemperatur   |
| $T_R$            | Rated temperature   | Nenntemperatur   |
| $T_{surf}$       | Surface temperature   | Oberflächentemperatur  |
| V                | Voltage   | Spannung   |
| $V_{ins}$        | Insulation test voltage   | Isolationsprüfspannung   |
| $V_{op}$         | Operating voltage   | Betriebsspannung   |
| $V_{test}$       | Test voltage  | Prüfspannung   |

| Symbol        | English                       | German                         |
|---------------|-------------------------------|--------------------------------|
| $\alpha$      | Temperature coefficient       | Temperaturkoeffizient          |
| $\Delta$      | Tolerance, change             | Toleranz, Änderung             |
| $\delta_{th}$ | Dissipation factor            | Wärmeleitwert                  |
| $\tau_c$      | Thermal cooling time constant | Thermische Abkühlzeitkonstante |
| $\tau_a$      | Thermal time constant         | Thermische Zeitkonstante       |

**Abbreviations/notes**

| Symbol | English  | German   |
|--------|--|--|
| *      | To be replaced by a number in ordering codes, type designations etc. | Platzhalter für Zahl im Bestellnummerncode oder für die Typenbezeichnung |
| +      | To be replaced by a letter.  | Platzhalter für einen Buchstaben   |
|        | All dimensions are given in mm.                                      | Alle Maße sind in mm angegeben.  |
|        | Commas used in numerical values denote decimal points.               | Verwendete Kommas in Zahlenwerten bezeichnen Dezimalpunkte.              |

## Important notes

The following applies to all products named in this publication:

1. Some parts of this publication contain **statements about the suitability of our products for certain areas of application**. These statements are based on our knowledge of typical requirements that are often placed on our products in the areas of application concerned. We nevertheless expressly point out **that such statements cannot be regarded as binding statements about the suitability of our products for a particular customer application**. As a rule we are either unfamiliar with individual customer applications or less familiar with them than the customers themselves. For these reasons, it is always ultimately incumbent on the customer to check and decide whether a product with the properties described in the product specification is suitable for use in a particular customer application.
2. We also point out that **in individual cases, a malfunction of electronic components or failure before the end of their usual service life cannot be completely ruled out in the current state of the art, even if they are operated as specified**. In customer applications requiring a very high level of operational safety and especially in customer applications in which the malfunction or failure of an electronic component could endanger human life or health (e.g. in accident prevention or life-saving systems), it must therefore be ensured by means of suitable design of the customer application or other action taken by the customer (e.g. installation of protective circuitry or redundancy) that no injury or damage is sustained by third parties in the event of malfunction or failure of an electronic component.
3. **The warnings, cautions and product-specific notes must be observed.**
4. In order to satisfy certain technical requirements, **some of the products described in this publication may contain substances subject to restrictions in certain jurisdictions (e.g. because they are classed as hazardous)**. Useful information on this will be found in our Material Data Sheets on the Internet ([www.tdk-electronics.tdk.com/material](http://www.tdk-electronics.tdk.com/material)). Should you have any more detailed questions, please contact our sales offices.
5. We constantly strive to improve our products. Consequently, **the products described in this publication may change from time to time**. The same is true of the corresponding product specifications. Please check therefore to what extent product descriptions and specifications contained in this publication are still applicable before or when you place an order.

We also **reserve the right to discontinue production and delivery of products**. Consequently, we cannot guarantee that all products named in this publication will always be available. The aforementioned does not apply in the case of individual agreements deviating from the foregoing for customer-specific products.

6. Unless otherwise agreed in individual contracts, **all orders are subject to our General Terms and Conditions of Supply**.
7. **Our manufacturing sites serving the automotive business apply the IATF 16949 standard**. The IATF certifications confirm our compliance with requirements regarding the quality management system in the automotive industry. Referring to customer requirements and customer specific requirements ("CSR") TDK always has and will continue to have the policy of respecting individual agreements. Even if IATF 16949 may appear to support the acceptance of unilateral requirements, we hereby like to emphasize that **only requirements mutually agreed upon can and will be implemented in our Quality Management System**. For clarification purposes we like to point out that obligations from IATF 16949 shall only become legally binding if individually agreed upon.

## Important notes

8. The trade names EPCOS, CarXield, CeraCharge, CeraDiode, CeraLink, CeraPad, CeraPlas, CSMP, CTVS, DeltaCap, DigiSiMic, FilterCap, FormFit, InsuGate, LeaXield, MediPlas, MiniBlue, MiniCell, MKD, MKK, ModCap, MotorCap, PCC, PhaseCap, PhaseCube, PhaseMod, PhiCap, PiezoBrush, PlasmaBrush, PowerHap, PQSine, PQvar, SIFERRIT, SIFI, SIKOREL, SilverCap, SIMDAD, SiMic, SIMID, SineFormer, SIOV, ThermoFuse, WindCap, XieldCap are **trademarks registered or pending** in Europe and in other countries. Further information will be found on the Internet at [www.tdk-electronics.tdk.com/trademarks](http://www.tdk-electronics.tdk.com/trademarks).

Release 2023-08