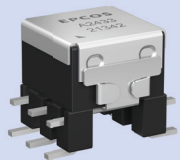


Sample Kit 2022

SMT Isolated Transformers

EP6 Series – B78416A*A003



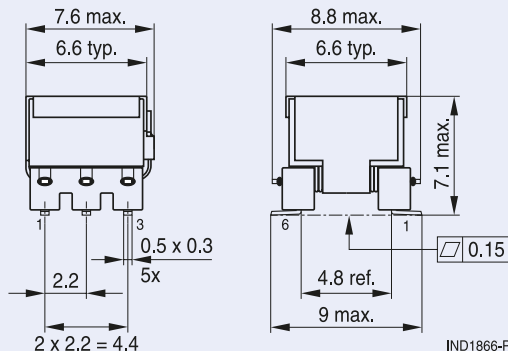
Resonant Transformer – EP6 Series (SMT)

Turns ratio	N1 : N2 : Np	1 : 1 : 8.42	1 : 1 : 8.42	1 : 1 : 9	1 : 1 : 15	1 : 1 : 15
L (4 - 6)	mH	3	3	0.23	4.2	5
R _{DC} N1a/N1b/N2	Ohm	0.59/0.59/23	0.59/0.59/23	0.23/0.23/8.7	0.55/0.55/33	0.74/0.74/29.2
Ordering code	B78416	A2232A003	A2360A003*	A2386A003	A2430A003	A2433A003

*) Version with short cut between shielding and Pin 6

Technical data

- All values measured at +25 °C ambient temperature
- Frequency range: 50 ... 300 kHz (typ.)
- Operating temperature range: -40 °C ... +125 °C
- High voltage test N1a, N1b/N2: 200 V_{RMS} (50 Hz, 1 s)
- MSL Level 1
- RoHS compatible
- AEC-Q200 available
- Blister Tape and reel packing:
30.4 mm blister tape, 380 mm reel
- Packing units: 1000 pcs./reel



IND1866-P

P100143

P301048

P301143

P301598

P100953

B78416A2232A003

B78416A2360A003

B78416A2386A003

B78416A2430A003

B78416A2433A003



Important information: It is incumbent on the customer to check and decide whether a product is suitable for use in a particular application. Our products are described in detail in our data sheets. Our *Important notes* and the product-specific *Cautions and warnings* must be observed. All relevant information is available through our sales offices.